



KRANKABINE
CRANE OPERATOR'S CAB

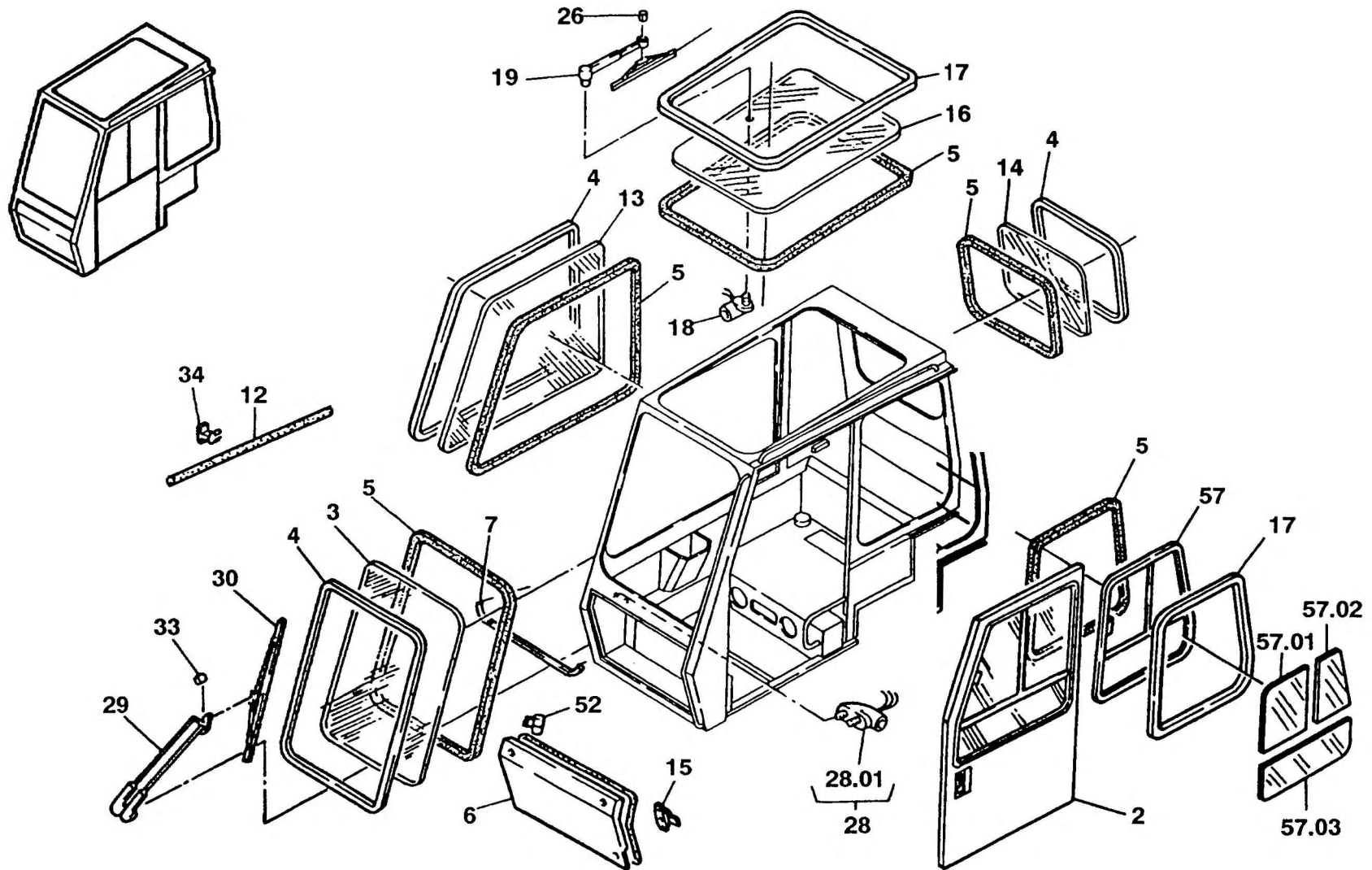
BILDТАFEL
PICTORIAL DISPLAY

KMK 6160
BE 630
G 236

04.91

2224641-ETL

1/3





KRANKABINE
CRANE OPERATOR'S CAB

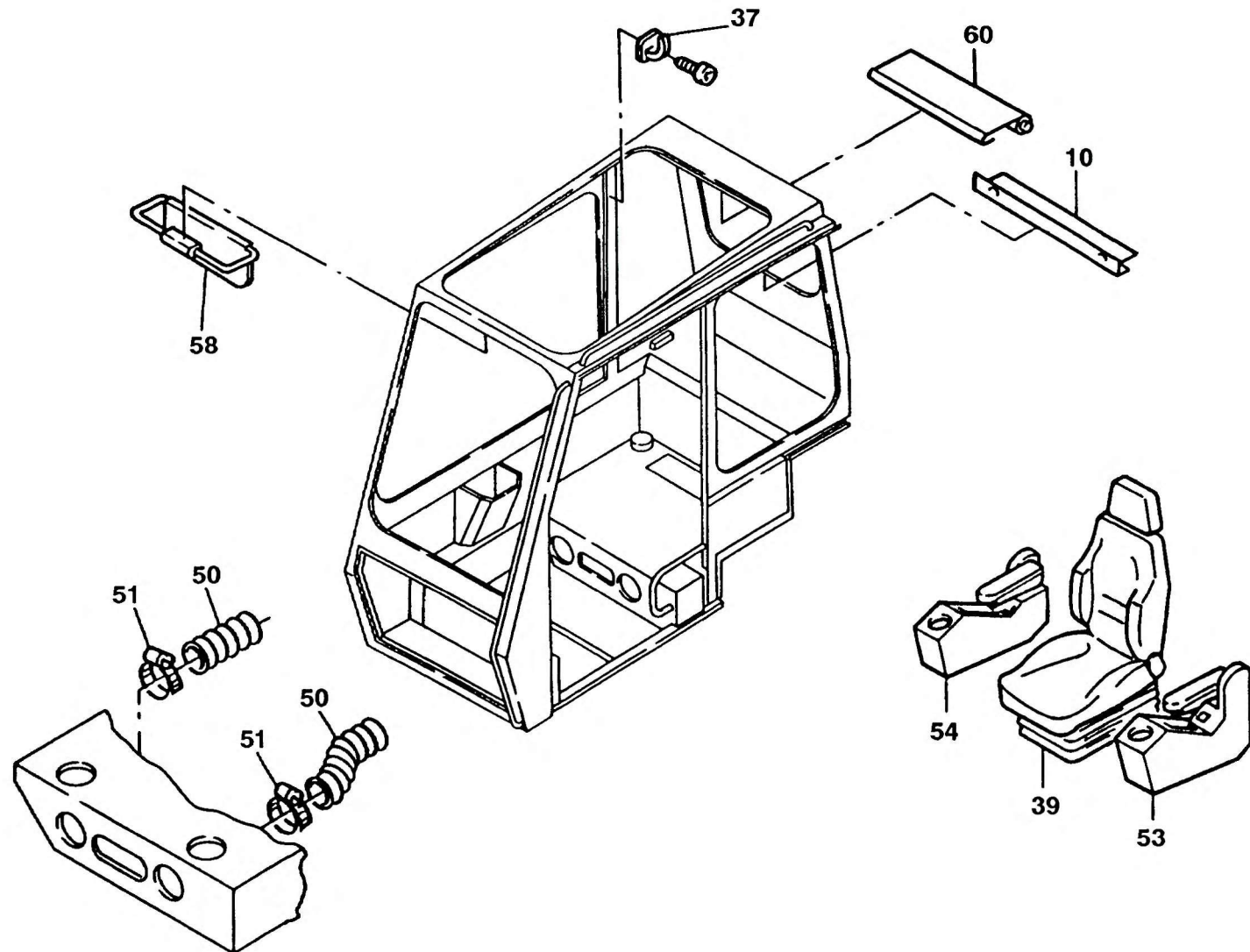
BILDTAFEL
PICTORIAL DISPLAY

KMK 6160
BE 630
G 236

04.91

2224641-ETL

2/3



A05_329

